



RFC49 Concealed Sprinkler Head



Details below are taken from data supplied by the head manufacturer.

In our opinion, the RFC49 is a far better head than the older RFC43 as it uses far less pressure (kPa)

RRP
White **\$ 79.00**
Plus GST

Temperature Range Cover Plate 57 ° Sprinkler Head 74 °C

with Chrome or Brass Covers \$94 + GST

Installation Data

Thread Size mm	K Factor	Sprinkler Spacing metres	Maximum Distance to Wall (mtrs)	Minimum Distance Between Sprinklers (mtrs)	Minimum Required Sprinkler Discharge	
					Lpm	kPa
15mm	71	3.6 x 3.6	1.83	2.43	49	48
		4.3 x 4.3	2.13		49	48
		4.9 x 4.9	2.43		49	48
		5.5 x 5.5	2.74		64.3	83
		6.0 x 6.0	3.05		75.7	114

Features

1. Very low water flow requirements.
2. 3mm Total adjustment.
3. Thread-On/Thread-Off or Push-On/Thread Off cover attachment option.
4. Smooth aesthetic ceiling profile.
5. Available in White

Head without cover plate \$ **46.00**
White Cover Plate \$ **33.00**
Brass Cover Plate \$ **48.00**
Chrome Cover Plate \$ **48.00**
Plus GST

Listings & Approval

1. Listed by Underwriters Laboratories, and certified by UL for Canada (cULus)
2. NYC MEA 258-93-E

UL Listing Categories

Residential Automatic Sprinklers
UL Guide Number VKKW

Product Description

Model RFC49 Concealed Residential Sprinkler is a fast response residential fusible solder link automatic sprinkler. Residential sprinklers differ from standard sprinklers primarily in their response time and water distribution patterns. Model RFC49 sprinklers discharge water in a hemispherical pattern below the sprinkler deflector. Residential distribution patterns are higher and generally contain a finer droplet size than standard sprinkler patterns. The combination of speed of operation and high discharge pattern required for residential sprinklers has demonstrated, in fire testing, an ability for controlling residential fires, and thereby providing significant evacuation time for occupants. The RFC49 Sprinkler provide the best form of fire protection by combining an attractive appearance and 13mm of cover adjustment for ease of installation. The small diameter cover plate is easily and positively attached and blends into the ceiling, concealing the most dependable fire protection available, an automatic sprinkler system. The RFC49 is a UL Listed Residential Sprinkler to be installed in the residential portions of any occupancy in accordance with NFPA 13, 13R, & 13D. The RFC49 can reduce the need for precise cutting of drop nipples. The threaded cover plate assembly can be adjusted without tools to fit accurately against the ceiling. The fire protection system need not be shut down to adjust or remove the cover plate assembly.

Application and Installation

The RFC49, for residential installation, use a 74 C fusible solder link in a tuning fork style sprinkler frame with a drop-down deflector. This assembly is recessed into the ceiling and concealed by a flat cover plate. The cover plate is attached to the skirt, using 57 C ordinary temperature classification solder. When the ceiling temperature rises, the solder holding the cover plate releases the cover allowing the deflector to drop into position and exposing the sprinkler inside to ceiling temperature. The subsequent operation of the solder link opens the waterway and causes the deflector to drop into position to distribute the discharging water in a hemispherical pattern below the sprinkler deflector. Any adjustment of thread engagement between the cover plate and cup will assure that the drop-down deflector is properly located below the ceiling.

The residential distribution pattern contains a finer droplet size than a standard sprinkler, and the pattern produces significantly higher wall wetting.

After a 2 5/8 inch diameter hole is cut in the ceiling, the sprinkler is to be installed with the wrench.

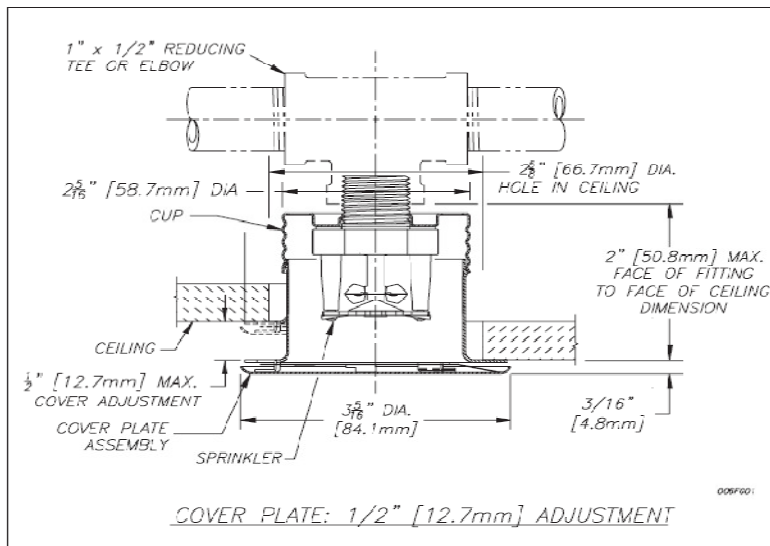
When installing a sprinkler, the wrench is first positioned into the sprinkler/cup assembly and around the hexagonal body of the sprinkler frame. The Wrench must bottom out against the cup in order to ensure proper, safe installation. The sprinkler is then tightened into the pipe fitting. When inserting or removing the wrench from the sprinkler/cup assembly, care should be taken to prevent damage to the sprinkler.

DO NOT WRENCH ON ANY OTHER PART OF THE SPRINKLER/CUP ASSEMBLY.

MODEL RFC49 CONCEALED SPRINKLERS MUST BE INSTALLED ONLY WITH 74 °C RATED COVERS.

Cover assemblies provide up to 13mm of adjustment. Turn the cover clockwise until the flange is in contact with the ceiling. For the push-on/thread-off option, the cover assembly is pushed onto the cup and final adjustment is made by turning the cover clockwise until the skirt flange makes full contact with the ceiling.

Cover removal requires turning in the counter-clockwise direction. In ceilings that have a plenum space above the sprinkler, the plenum space may have neutral or negative pressurisation but must not be positively pressurised. Inspect all sprinklers after installation to ensure that the gap between the cover plate and ceiling and the 4 slots in the cup are all open and free from any air flow impediment.



Maintenance

Model RFC49 Concealed Sprinklers should be inspected quarterly and the sprinkler system maintained in accordance with NFPA 25. Do not clean sprinklers with soap and water, ammonia or any other cleaning fluids. Remove dust by using a soft brush or gentle vacuuming. Remove any sprinkler cover plate assembly which has been painted (other than factory applied) or damaged in any way.

A stock of spare sprinklers should be maintained to allow quick replacement of damaged or operated sprinklers.

Prior to installation, sprinklers should be maintained in the original cartons and packaging until used to minimize the potential for damage to sprinklers that would cause improper operation or non-operation.