

DH56 Recessed Sprinkler Head

Details below are taken from data supplied by the head manufacturer.

Up to 8 x 3 metres coverage from 1 head



Temperature Range Cover Plate 57°C Sprinkler Head 68°C or 93°C

Installation Data

Thread Size mm	K Factor	Sprinkler Spacing metres	Maximum Ambient Temperature	Minimum Required Sprinkler Discharge	
				Lpm	kPa
15mm	81	8.5 x 2.4	38°C	87.1	120
		8.5 x 3.0	66°C	106	170

Minimum Spacing of 4.3 Metres

RRP
\$ 57.50
Plus GST

Features

- 1 Coverage for long and narrow spaces such as hallways, corridors and decks
- 2 Deflector to ceiling dimensions are 102mm min and up to 305mm max.
- 3 Minimum spacing between sprinklers is 4.3 metres
- 4 Polyester Coated Corrosion Resistant sprinklers
- 5 UL Listed for extended coverage, light hazard applications.
- 6 K factor 81 metric
- 7 Sprinkler is approved for 1720 IPa applications.
- 8 Quick Response performance.
- 9 13mm adjustment of escutcheon and cover.
- 10 Concealed cover plate can prevent the sprinkler from being used for unintended purposes. No exposed thermal element. (Concealed version only)
- 11 Push-on/thread-off sturdy convenient escutcheon for recessed and cover for concealed.
- 12 Factory assembled sprinkler & cup, shipped complete with protective cap for for concealed and FP versions.
- 13 Sprinkler & cup assembly and escutcheon or cover are separately packaged.
- 14 Cover finished in standard white

Listings & Approval

1. Listed by Underwriters Laboratories, and certified by UL for Canada (cULus)
2. NYC MEA 258-93-E

Approval Type

Quick Response, Extended Coverage.

Approved for installation in accordance with NFPA 13 for light hazard occupancies.

Product Description

The Model DH56 family of sprinklers are quick response extended coverage sidewall sprinklers for use in light hazard applications. The Model DH56 with SWC cover plate is a concealed sprinkler that uses Reliable's push on/thread off sidewall cover. This sprinkler has the cup factory mounted and is shipped with a protective cap that protects the 3mm frangible glass bulb during shipping and post installation finishing operations. The DH56 can be combined in the field with the FP or F2 Escutcheon to make a recessed sprinkler.

The SWC cover plate, FP and F2 recessed escutcheons have 15mm adjustment. The SWC cover plate is attached with 57°C degree solder.

In the event of a fire the rising ambient temperature melts the solder and the cover plate is ejected away by springs exposing the 3mm frangible glass bulb.

The use of a 3mm bulb allows quick response which enables the sprinkler to apply water to a fire sooner than standard response sprinklers of the same temperature rating.

Application and Installation

The Model DH56 is a horizontal sidewall sprinkler intended for installation in light hazard occupancies in accordance with NFPA 13. These sprinklers are designed to provide fire protection in long and narrow spaces such as hallways, corridors, decks and rooms up to 8.5m wide and 3m long. They are rated for 17200 kPa and can be mounted between 102 and 305mm down from the ceiling.

DH56 with Escutcheon

To install the DH 56with the F2 Escutcheon as a recessed sprinkler cut a 58mm diameter hole in the wall as shown in Figure 2. Thread the DH80 into the collar hand tight. Apply a Teflon* based sealant to the sprinkler threads and install in the fitting. Wrench only on the square boss. It is recommended that the sprinkler be protected during plastering and painting operations by using the protective cap P/N 6999991009. These must be ordered separately. Installation is completed by removing the protective cap and inserting the F2 Escutcheon over the collar.

NOTE: The GFR2 wrench has a notch in it to accommodate the deflector top. This wrench can only be inserted one way. Care must betaken not to damage the deflector during tightening. Apply a Teflon* based sealant to the sprinkler threads before installing in the fitting. When inserting or removing the wrench from the sprinkler cup, care must be taken to prevent damage to the sprinkler. Wrench only on the square boss. **DO NOT WRENCH ON ANY OTHER PART OF THE SPRINKLER.**

Note: DH56 and DH56 Recessed Sprinklers have orange bulb protectors to minimize bulb damage during shipping, handling, and installation. REMOVE THIS PROTECTION AT THE TIME THE SPRINKLER SYSTEM IS PLACED IN SERVICE FOR FIRE PROTECTION.

Removal of the protectors before this time may leave the bulb vulnerable to damage. Wrenches are designed to install sprinklers when covers are in place.

REMOVE PROTECTORS BY UNDOING THE CLASP BY HAND. DO NOT USE TOOLS TO REMOVE THEPROTECTORS

Note: A leak tight 1/2" NPT (R1/2) sprinkler joint can be obtained with a torque of 8-18 ft-lbs (10.8-24.4 N-m). Do not tighten sprinklers over maximum recommended torque. It may cause leakage or impairment of the sprinklers

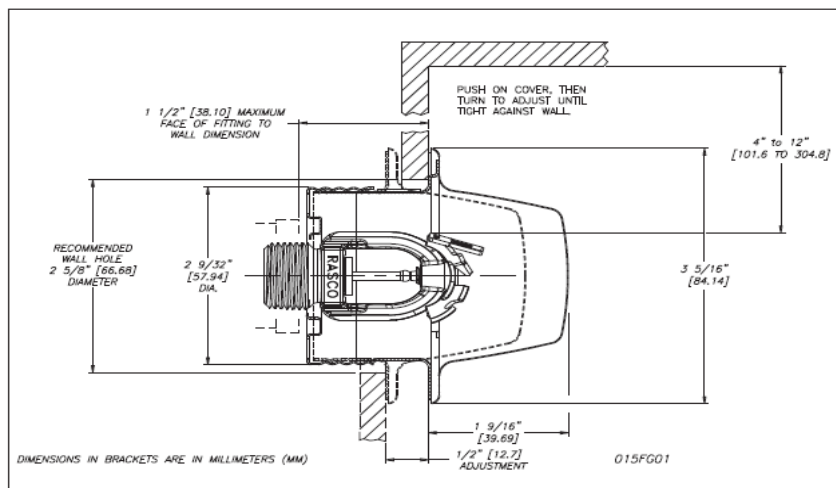


Figure 1.

Maintenance

Model DH56 Concealed Sprinklers should be inspected quarterly and the sprinkler system maintained in accordance with NFPA 25. Do not clean sprinklers with soap and water, ammonia or any other cleaning fluids. Remove dust by using a soft brush or gentle vacuuming. Remove any sprinkler cover plate assembly which has been painted (other than factory applied) or damaged in any way.

A stock of spare sprinklers should be maintained to allow quick replacement of damaged or operated sprinklers.

Prior to installation, sprinklers should be maintained in the original cartons and packaging until used to minimize the potential for damage to sprinklers that would cause improper operation or non-operation.

Model DH56 Quick Response Extended Coverage Horizontal Sidewall Sprinkler Specification

Sprinklers shall be a [quick response – cULus Listed] extended coverage horizontal sidewall sprinkler for light hazard occupancies. Sprinklers to be of bronze frame construction with a special deflector capable of providing a discharge over a coverage area of 8.5m wide, and 3m long horizontal throw. Water seal assembly shall consist of a Teflon-coated Belleville spring washer and machined brass cup with 3 mm glass bulb containing no plastic parts. Installation shall permit sprinkler deflectors to be positioned 102mm to 305mm below the ceiling.

Sprinklers shall have a nominal K-factor of 81, and 15mm NPT thread.

Sprinkler temperature rating shall be 68°C 93°C.

Rated working pressure shall be 1720 kPa. Standard finish: white.

Quick response horizontal sidewall sprinklers shall be Reliable Model DH56, SIN RA1564 (Bulletin 015).

For recessed horizontal sidewall sprinklers: Replace "horizontal sidewall" with "recessed horizontal sidewall."

Add:

(1) Recessed escutcheon assembly shall be a two-piece escutcheon of push-on and thread off design with 13mm adjustment. Standard finish shall be white or

(2) Recessed escutcheon assembly shall be a two-piece "friction fit" escutcheon with 15mm adjustment. Standard finish white.

Quick response recessed horizontal sidewall sprinklers shall be Reliable Model DH56, SIN RA1564 (Bulletin 015).

For concealed horizontal sidewall sprinklers: Replace "horizontal sidewall" with "concealed horizontal sidewall."

Add: Cover plate assembly shall consist of a brass cover plate and copper alloy retainer flange. Method of attaching the cover plate to the sprinkler cup shall be a push-on and thread-off design allowing a 13mm cover plate adjustment. Cover plate temperature rating shall be 57 C for 68 C sprinkler and 74°C for 93°C sprinkler. A plastic protective cap shall be provided and factory installed inside the sprinkler cup to protect the sprinkler from damage, which could occur during construction before the cover plate is installed. Standard cover plate finish: white.

Quick response concealed horizontal sidewall sprinklers shall be Reliable Model DH56, SIN RA1564 (Bulletin 015).

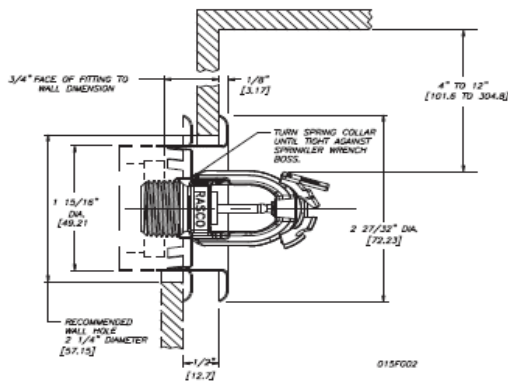


Figure 2

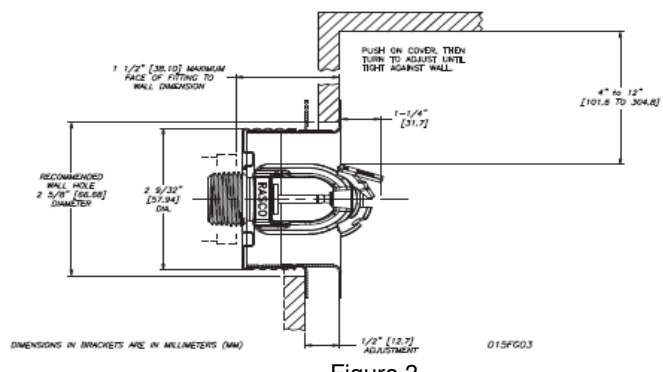


Figure 3

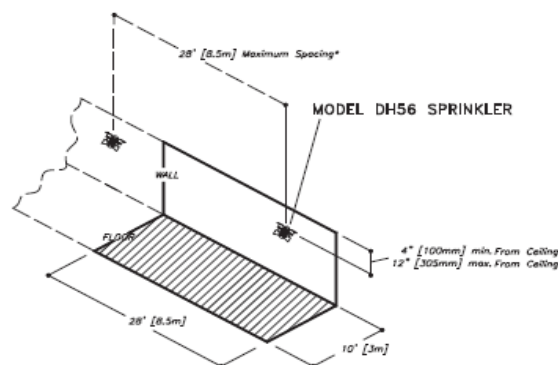


Figure 4